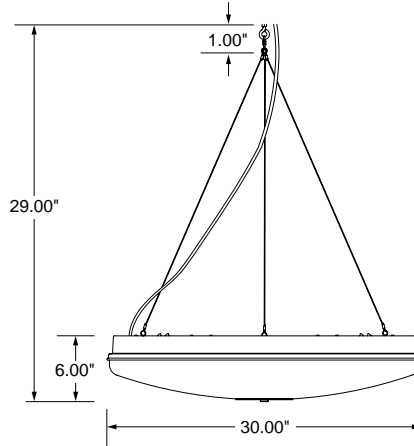


# The FITZ

Retail Lighting System

JOB NAME	TYPE
MODEL NO.	
LAMP	

FTZ 1408



## Specifications

**Lamping**—(8) FT 40W/2G11

**Housing**—Shallow one-piece, 20 gauge spun steel.

**Standard Mounting**—Includes (3) galvanized steel cables, quick link and a 12' power cord. Mounts to customer supplied eyebolt, 1/4-20 recommended.

**Bi-level Switching**—All models are standard with two ballasts which each control four lamps.

**Lensing**—3/16" Clear prismatic acrylic lens. Steel safety cable holds the lens secure for convenient lamp maintenance.

**Electrical Components**—(2) Integral multi-lamp ballasts are HPF electronic with low harmonic distortion (<20%). Ballasts are thermally protected and have a Class "A" sound rating. 110W per ballast (220W total fixture), .93 amps at 120V (1.86 amps total) and .42 amps at 277V (.84 amps total).

**Finish**—Housing finish is Super White thermoset polyester powder coat.

**Listing**—cULus For interior use only.

## Lamps

- Fixtures are supplied with lamps installed.

## Weight

30 lbs.

## Option Specification

### Integral Emergency Ballast (EM)

Operates lamp for a minimum of 90 minutes at approximately 700 lumens output in emergency mode. Operates until AC power is restored. Internal charge indicator light and test switch. EM ballast is wired dual tap (120V or 277V) with separate leads on the supplied power cord.

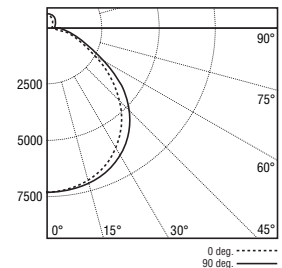
## Photometrics

**Test Number:**  
ITL56839

**Fixture:**  
The FITZ

**Luminaire:**  
30" Prismatic Acrylic

**Lamps:**  
(8) FT40W/2G11  
4100 K lamps



ZONAL LUMEN SUMMARY			
Zone	Lumens	% Lamp	% Fixt.
0 - 30	5766	21.8	24.6
0 - 40	9487	35.9	40.5
0 - 60	16454	62.3	70.2
0 - 90	20834	78.9	88.9
90 - 120	1099	4.2	4.7
90 - 130	1444	5.5	6.2
90 - 150	2102	8.0	9.0
90 - 180	2609	9.9	11.1
0 - 180	23443	88.8	100.0
<b>TOTAL LUMINAIRE EFFICIENCY = 88.8%</b>			

COEFFICIENTS OF UTILIZATION, ZONAL CAVITY METHOD															
EFFECTIVE FLOOR CAVITY REFLECTANCE 0.20															
RC	80			70			50			30					
	70	50	30	10	70	50	30	10	50	30	10	0			
0	103	103	103	100	100	100	93	93	93	87	87	87	82	82	79
1	94	90	86	82	90	87	83	80	81	78	75	76	74	71	69
2	85	78	72	67	82	76	70	65	71	66	62	67	63	60	62
3	78	69	62	56	75	67	60	55	63	57	53	59	54	50	55
4	71	61	53	47	69	59	52	47	56	50	45	52	47	43	49
5	66	55	47	41	63	53	46	40	50	44	39	47	42	38	45
6	61	49	41	36	58	48	40	35	45	39	34	43	37	33	40
7	56	44	37	31	54	43	36	31	41	35	30	39	33	29	37
8	52	41	33	28	50	40	33	28	38	31	27	36	30	26	34
9	49	37	30	25	47	36	30	25	35	28	24	33	27	24	31
10	46	34	27	23	44	33	27	23	32	26	22	30	25	21	29

© 2006 (Design modification rights reserved.)



PH: 817.626.0044

FAX: 817.740.9416

www.tarrantlighting.com

info@tarrantlighting.com